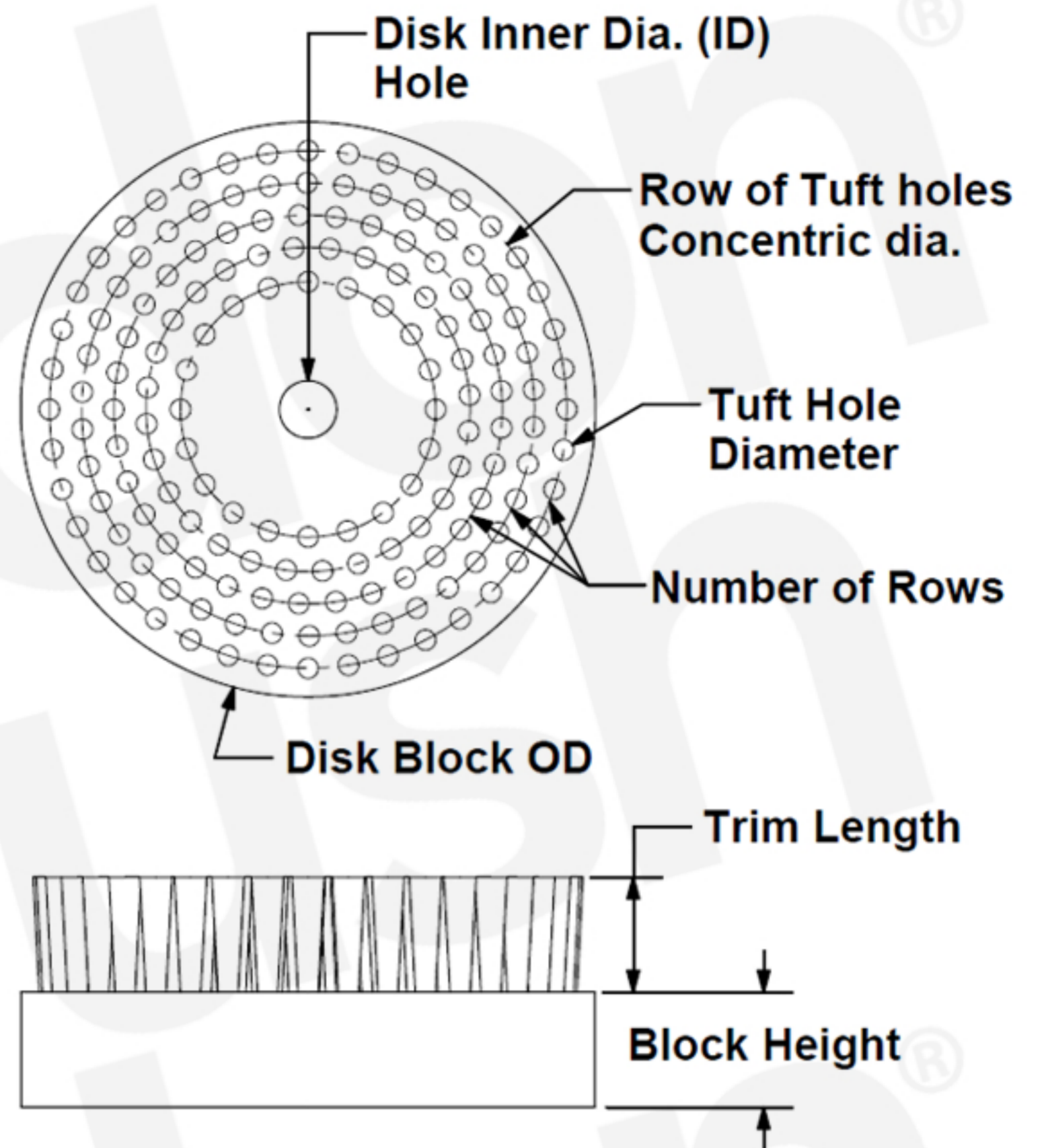


DESIGN SHEET: DISK BRUSHES (STAPLE SET)



Brush Information

Fill Material Trim Length _____
 Flared Trim Angle Degree _____
 Fill Material Type _____
(Options: Nylon, Brass, Stainless Steel, Horse Hair, Hog, etc.)
 Fill Diameter _____
(Refers to the diameter of one strand of Bristle)
 Fill Color _____
(Typical Colors: Black or Natural, other colors available upon request)
 Fill Style: Crimped or Level (straight)

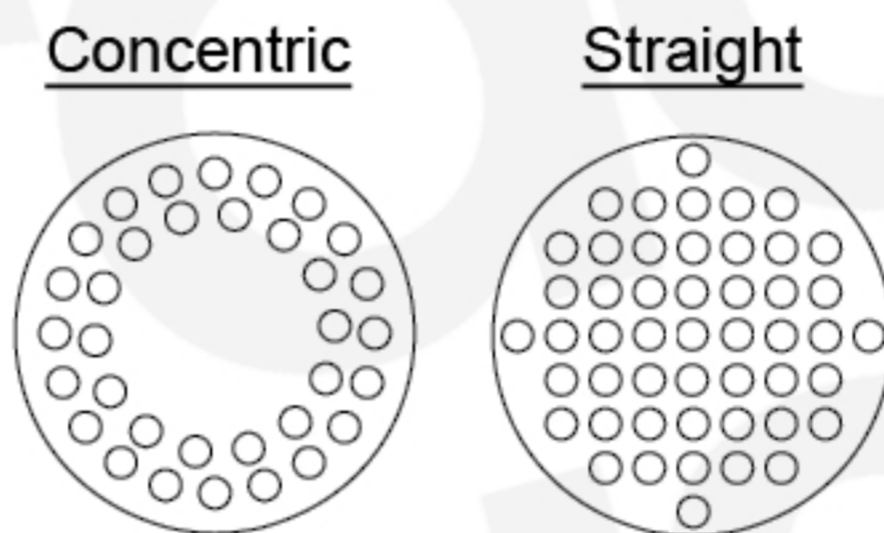
Disk Block Information

Block Material _____
(Options: Plywood, Hardwood, HDPE, Nylon, PVC, UHMW, etc.)
 Disk Block Outer Diameter (OD) _____
 Disk Block ID / Arbor Hole Diameter _____
 Disk Block Thickness _____
 Concentric Diameter for Row(s) _____
 Holes per Rotation & Number of Rows _____
 Tuft Hole Size/Diameter _____
[Optional Range from 2mm (.078") up to 8mm (.31") max.]
 Tuft Hole Pattern Spacing:
 Tight Normal Loose
 Tuft Hole Pattern:
 Concentric Straight
 Straight Pattern Option: Offset from Edge _____

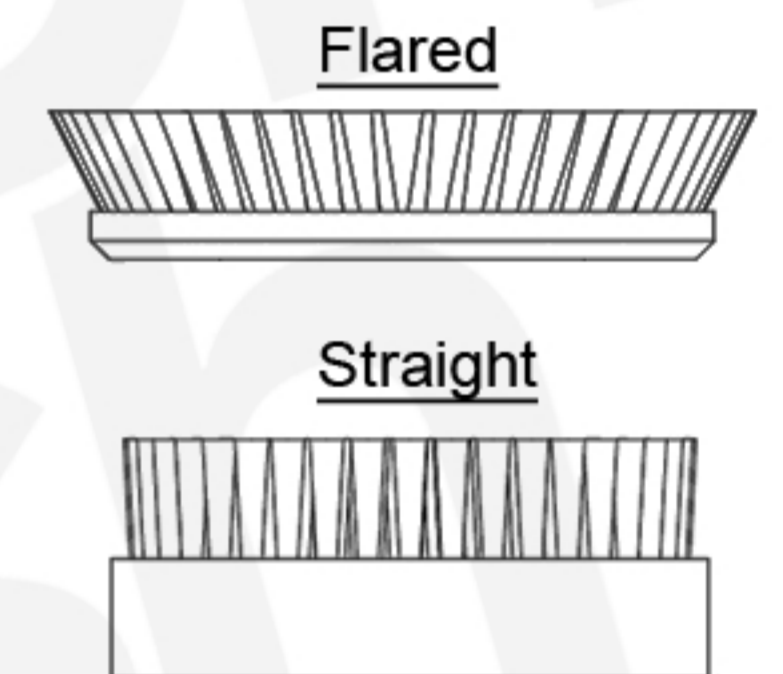
 Current Brush or is this a New Brush? _____
 Brush Application (wet or dry, used with
 chemicals?) _____
 Annual Usage _____
 Order Quantity _____

Comments:

Brush Patterns:



Flared Trim or Straight:



CUSTOMER CONTACT INFORMATION

Name _____
 Company _____
 Address _____

 Phone _____
 Email _____



3737 Capitol Avenue
 City of Industry, CA 90601

CALL
(800) 933-0933
 phone : (323) 724-7777
 fax : (323) 724-1111
 email : sales@gordonbrush.com
 web : www.gordonbrush.com